

MUNDIAL

INDUSTRIAL PLUGS AND SOCKETS

Description: IP66-IP67 WALL PLUG 3P+N+E 380V 63A 6H

Reference:

03673

Characteristics:

Product type:	Low voltage wall plug
Current:	63A
Poles:	3P+N+E
Voltage:	200/346 - 240/415 V
Frecuency(Hz):	-
Time code:	6
Colour:	Red
Weight (kg):	2,02
Dimensions:	
Materials:	Halogen-free plastic materials. Plastic parts: polyamide 6. Contacts: copper-zinc alloy
Packaging units:	2

Technical data:

Degree of protection:	IP66-IP67
Degree of protection remarks:	
Resistance to impact:	IK08
Glow wire resistance:	960 °C
Ball pressure test:	125 °C
Ambient temperature range:	-25 °C / +40 °C

Certifications and norms:

Directive:	2014/35/EU
Standards:	IEC 60309-1-2
Certificates:	



Codes:

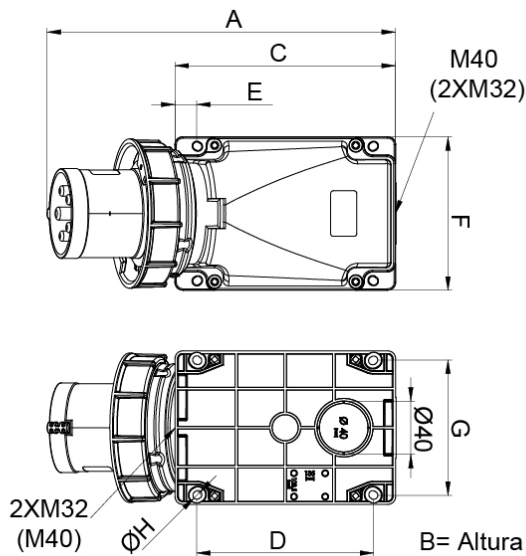
EAN:	8431044036731
Customs tariff number:	85.36.69.90
ETIM 8.0:	EC001319

MUNDIAL

INDUSTRIAL PLUGS AND SOCKETS

Description: IP66-IP67 WALL PLUG 3P+N+E 380V 63A 6H

Reference: 03673



Dimensions:

I	Poles	Dimensions							
		A	B	C	D	E	F	G	ØH
16 A	2P+E	136	99	103	47	-	71	70	5
	3P+E	138	94	100	47	-	79	70	5
	3P+N+E	140	100	103	47	-	87	70	5
32 A	2P+E	150	104	103	47	-	93	70	5
	3P+E	153	104	103	47	-	93	70	5
	3P+N+E	152	102	103	47	-	102	70	5
63 A	2P+E	271	175	170	136	17	118	104	6
	3P+E	271	175	170	136	17	118	104	6
	3P+N+E	271	175	170	136	17	118	104	6
125 A	2P+E	387	209	262	240	11	162	142	8
	3P+E	387	209	262	240	11	162	142	8
	3P+N+E	387	209	262	240	11	162	142	8

Sustainability:

RoHS - REACH

Product end of life stage:

Product concerned in the WEEE regulations.

Supply:

Supplied in a single box per packaging multiple